

# ATRIA II 10

REIMAGINING PERFORMANCE SPACES

SPECIFICATION SHEET  
STATIC WHITE

## Housing

Diameter : Ø9.4" | Height : 20.5" | Weight : 30 lbs

## Material

Housing : High Pressure Die-Cast Aluminum

Optics : Metal Reflector

## Power Input

80W, 110W, 140W, 180W, 220W | 120-277V

## Lumen Output

10,300 lm (80W), 13,390 lm (110W), 17,430 lm (140W)

22,470 lm (180W), 26,350 lm (220W)

## Dimming

Standard 0-10V : Dims to 10%

Superior 0-10V : Dim to 1 %

DMX : High resolution dims to 0.1% (Supports ANSI E1.20 RDM protocol)

TRC : Line-voltage phase control, dims to 1% (120V only)

DALI : Dims to 10%

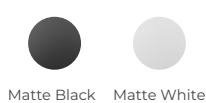
## Color Quality

CRI 85, CRI 93

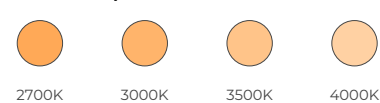
## Rated Life

> 100,000 Hours (L70)

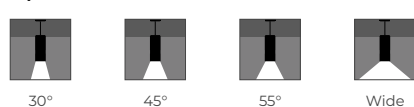
## Finish



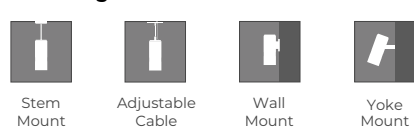
## Color Temperature



## Optics



## Mounting



## Warranty

5 Year limited warranty

## Listing



DesignLights Consortium™ Qualified Luminaires:

DLC QPL Product ID : A-JHQJYR

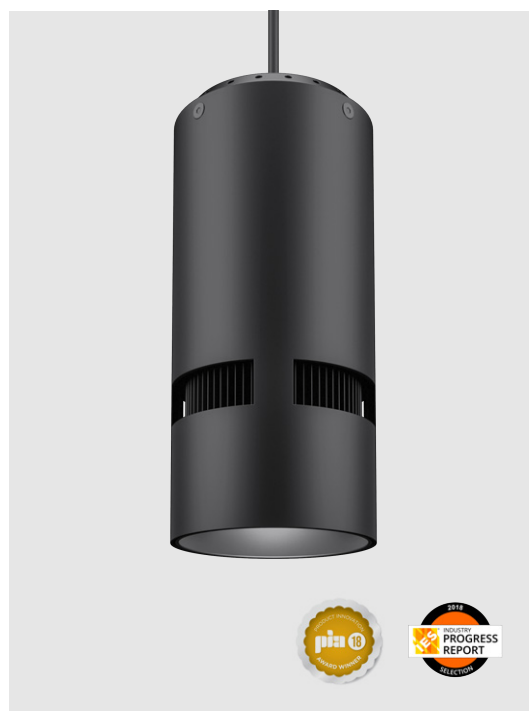
Not all product variations listed are DLC qualified.

To ensure that a specific model is qualified, visit [www.designlights.org/search](http://www.designlights.org/search)

## Versatile and Compact Architectural Cylinder

Engineered for performance spaces, this cylinder offers versatile mounting and advanced dimming options. It seamlessly blends into ceilings, delivering powerful performance with vibrant, color-changing technology that elevates any stage environment.

With its next-gen design, the Atria Mark II features an upgraded light engine that boasts a 30% increase in lighting output across the series and introduces a new SilentBlack™ finish that reduces reflectance to under 5%.



**SPECIFICATION**

PROJECT NAME

DATE

CATALOG #

QUANTITY

The product configurator function on this page works only with the latest version of Chrome or Adobe Acrobat Reader.

<input type="text" value="AS1110"/>	MODEL	<b>ATRIA II 10</b>		
<input type="text"/>	WATTAGE	<b>80</b> 80W <b>180</b> 180W	<b>110</b> 110W <b>220</b> 220W	<b>140</b> 140W
<input type="text"/>	CCT / CRI	<b>278</b> 2700K / CRI 85 <b>309</b> 3000K / CRI 93 <b>408</b> 4000K / CRI 85	<b>279</b> 2700K / CRI 93 <b>358</b> 3500K / CRI 85	<b>308</b> 3000K / CRI 85 <b>359</b> 3500K / CRI 93
<input type="text" value="UNV"/>	VOLTAGE	<b>UNV</b> 120 – 277V		
<input type="text"/>	DIMMING	<b>STV</b> Standard 0-10V dims to 10% <b>DMXR</b> DMX dims to 0.1% (RJ45 Sockets) <b>DALI</b> DALI dims to 10%	<b>SPV</b> Superior 0-10V dims to 1% <b>DMXW</b> DMX dims to 0.1% (Hard-wired)	<b>DMX</b> DMX dims to 0.1% (XLR Sockets) <b>TRC<sup>1</sup></b> Line-voltage phase control, dims to 1%
<input type="text"/>	BEAM ANGLE	<b>30</b> 30° <b>WD<sup>2</sup></b> Wide	<b>45</b> 45°	<b>55</b> 55°
<input type="text"/>	FINISH	<b>BLK</b> SilentBlack™, Matte Finish	<b>WHT</b> SilentWhite™, Matte Finish	
<input type="text"/>	MOUNTING	<b>ST2</b> Stem 2ft <b>SAD10</b> Sloped Adjustable Cable 10ft	<b>ST4</b> Stem 4ft <b>WLM<sup>3</sup></b> Wall Mount	<b>AD10</b> Adjustable Cable 10ft <b>YKM</b> Yoke Mount
<input type="text"/>	ACCESSORIES	<b>SPD<sup>4</sup></b> Surge Protector <b>CT<sup>6</sup></b> Conduit Mount <b>AWNC<sup>9</sup></b> Lutron Athena Wireless Node Canopy	<b>HC<sup>5</sup></b> Honeycomb Louver <b>FCS<sup>7</sup></b> Field Cut Stem Adapter Kit <b>NX<sup>10</sup></b> NX Radio Module Standalone Module	<b>EMP</b> Remote Emergency Pack <b>AWN<sup>8</sup></b> Lutron Athena Wireless Node Standalone Module <b>NXC<sup>11</sup></b> NX Radio Module Canopy

CLEAR FORM

<sup>1</sup> TRC is only compatible with 120V and not compatible with 180, 220  
<sup>2</sup> WD option reduces delivered lumens by ~20%  
<sup>3</sup> WLM is not compatible with DMX, DMXR; connections are hard-wired using three DMX wires  
<sup>4</sup> Surge protector for up to 10KV. Applicable for unstable mains or facilities using high power machineries  
<sup>5</sup> HC option reduces delivered lumens by ~30%  
<sup>6</sup> CT is not compatible with YKM, WLM  
<sup>7</sup> FCS is not compatible with AD10, SAD10, YKM, WLM  
<sup>8</sup> AWN is not compatible with STV, DMX, DMXR, DMXW, TRC  
<sup>9</sup> AWNC is not compatible with STV, DMX, DMXR, DMXW, TRC, YKM, WLM  
<sup>10</sup> NX is not compatible with DMX, DMXR, DMXW, TRC, DALI  
<sup>11</sup> NXC is not compatible with DMX, DMXR, DMXW, TRC, DALI, YKM, WLM

**TECHNICAL DETAILS**

**Electrical**

- 10,300 lm (80W), 13,390 lm (110W), 17,430 lm (140W)  
22,470 lm (180W), 26,350 lm (220W)
- Power Input : Universal (120-277V)
- Operating Temperature : -13°F~112°F
- Surge Protection : Built-in is 4KV
- Remote Emergency Pack : Philips Bodine BSL20B2UEK55C111
- Power Factor Greater than 0.9

**LED Features**

- Color Temperature : 2700K, 3000K, 3500K, 4000K
- CRI 85, CRI 93
- Long lasting LED luminaire tested under TM21 lumen maintenance L70 @ 100,000 Hrs
- Lumen Maintenance > 0.90 at 60,000 hours

**Optics**

- Precision molded high transmittance clear PC lens
- Beam Angle : 30°, 45°, 55°, WD

**Advanced Dimming**

- Proprietary VX Driver™ is integrated across all dimming options, delivering video flicker-free performance and full compliance with IEEE 1789.
- Standard 0-10V : Dims to 10%
- Superior 0-10V : Dims to 1 %
- DMX : High resolution dims to 0.1% (Supports ANSI E1.20 RDM protocol)
- TRC : Line-voltage phase control, dims to 1% (120V only)
- DALI : Dims to 10%

**Housing**

- Diameter : Ø9.4"
- Height : 20.5"
- Material : High Pressure Die-Cast Aluminum, Metal Reflector
- Weight : 30 lbs

**Mounting**

- Stem 2ft or 4ft; 45° Swivel Canopy Included
- Adjustable Cable 10ft
- Sloped Adjustable Cable 10ft
- Wall Mount
- Yoke Mount

**Warranty**

- 5-year limited warranty

**Listing**

- DLC Listed
- ETL Damp Location Listed
- CE
- UKCA
- FCC

**PERFORMANCE SUMMARY\***

	Delivered Lumens			
CCT/WATTAGE	2700K	3000K	3500K	4000K
<b>80W</b>	8,960lm	9,580lm	9,935lm	10,300lm
<b>110W</b>	11,645lm	12,450lm	12,915lm	13,390lm
<b>140W</b>	15,160lm	16,220lm	16,830lm	17,430lm
<b>180W</b>	20,100lm	21,285lm	21,880lm	22,470lm
<b>220W</b>	23,575lm	24,960lm	25,656lm	26,350lm

	Current Consumption	
WATTAGE / VOLT	120V	277V
<b>80W</b>	0.73A	0.32A
<b>110W</b>	1.01A	0.44A
<b>140W</b>	1.28A	0.56A
<b>180W</b>	1.65A	0.71A
<b>220W</b>	2.02A	0.87A

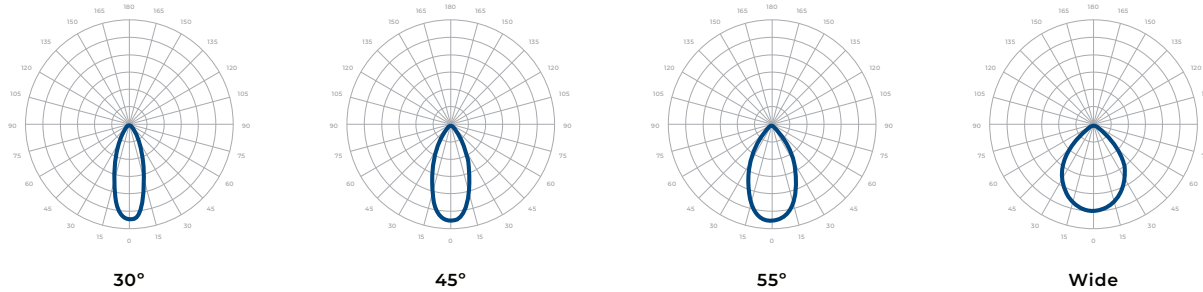
\*CRI 85 / Beam Angle : 55° \*Tolerance ±8%

\*For specifications requiring a CRI of 93, apply a 0.75 multiplier to the lumen output values listed.

Emergency Pack Lumen Output Table			
CCT	2700K	3000K	4000K
<b>LUMEN</b>	1,640lm	1,760lm	1,890lm

**PHOTOMETRICS**

Below is a typical photometric representation of the Atria II 10 fixture. Please download IES files to ensure exact photometric value.

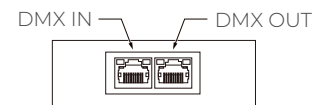


**DMX REQUIREMENTS**

The Atria II 10 fixture with DMX is a **single channel dmx** unit. When placing an order, please indicate DMX address. (The DMX address will be listed on the back of the fixture). Do not connect more than 32 fixtures per DMX daisy chain.

The fixture can be connected with RJ45 or XLR sockets. DMX cables **are not** included; please refer to compatible DMX cabling list for more information. The final fixture on each daisy chain should be terminated by the use of a DMX terminator purchased from a 3rd party or from Meteor.

CONNECTION	RJ45 (CAT5e)	5-PIN XLR
Common	WHITE/BROWN(PIN7) & BROWN (PIN 8)	PIN 1
Signal -	ORANGE (PIN 2)	PIN 2
Signal +	WHITE/ORANGE (PIN 1)	PIN 3
Spare	-	PIN 4
Spare	-	PIN 5



**RJ45 Sockets**



**XLR Sockets**

**COMPATIBLE DMX CABLING LIST**

DMX uses a cable consisting of two twisted pairs plus a shield to carry data. The cable must be specifically impedance matched for the digital DMX signal, meaning that microphone cable or other non-rated cable **must not be used to carry DMX**. Network cable (Cat5, 5e or 6 cable) may be used to carry DMX in an installation; however special consideration must be given to shielding and termination. Under no circumstances should solid core cable like Cat5 be terminated into a screw down connector.

Meteor recommends the use of Belden 9729 or Belden 9841 for DMX installation. Belden 9729/9841 is a shielded twisted pair cable, which allows for a spare pair for 'out and back' type terminations if needed.

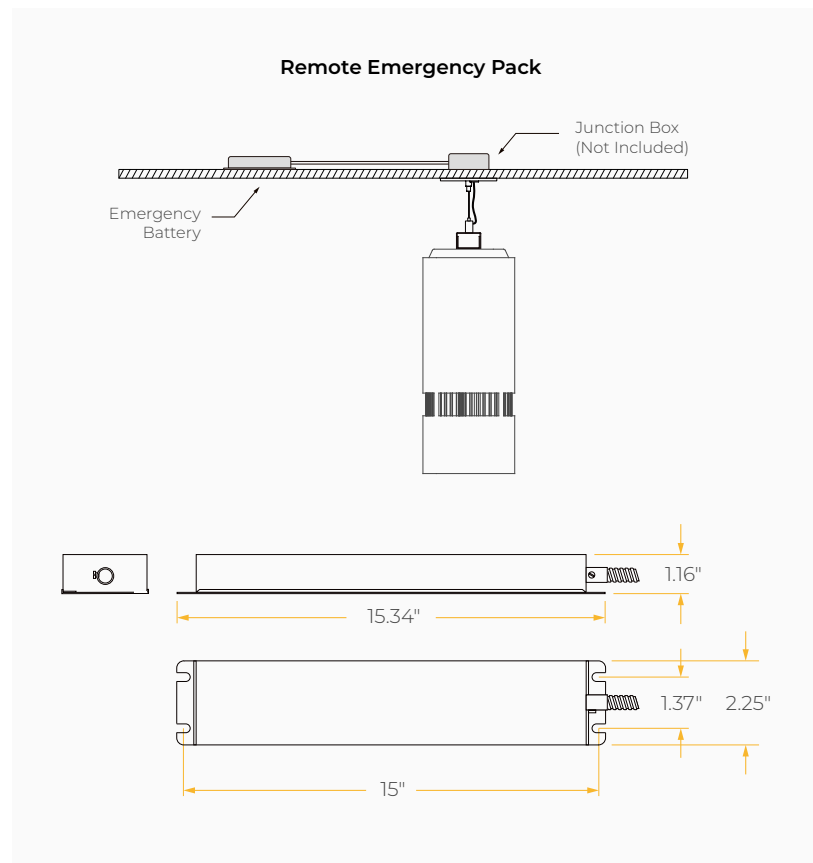
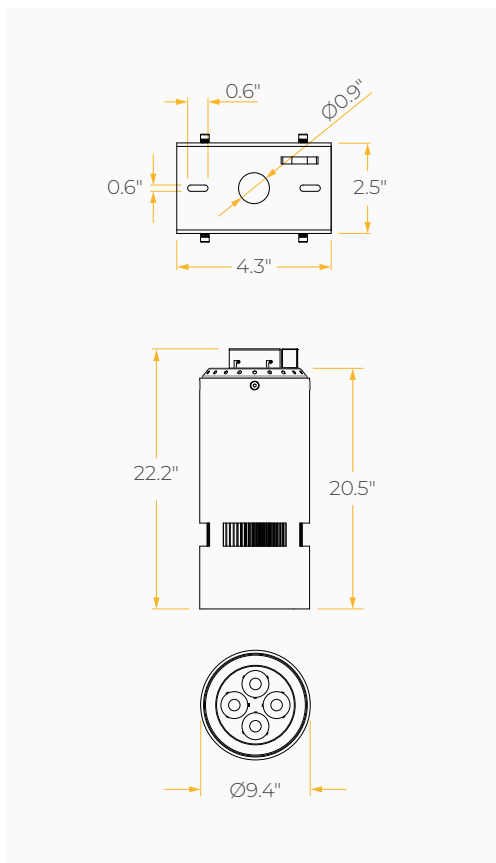
**COMPATIBLE LDE1 DIMMER LIST**

LUTRON PART NO.						
RMJ-ECO32-DV-B	FCJ/FCJS-ECO	QSN-1ECO-S	QSN-2ECO-S	QSGRJ-_E	QSGR-_E	QP2-__2C
QP2-__4C	QP2-__6C	QP2-__8C	LQSE-2ECO-D			

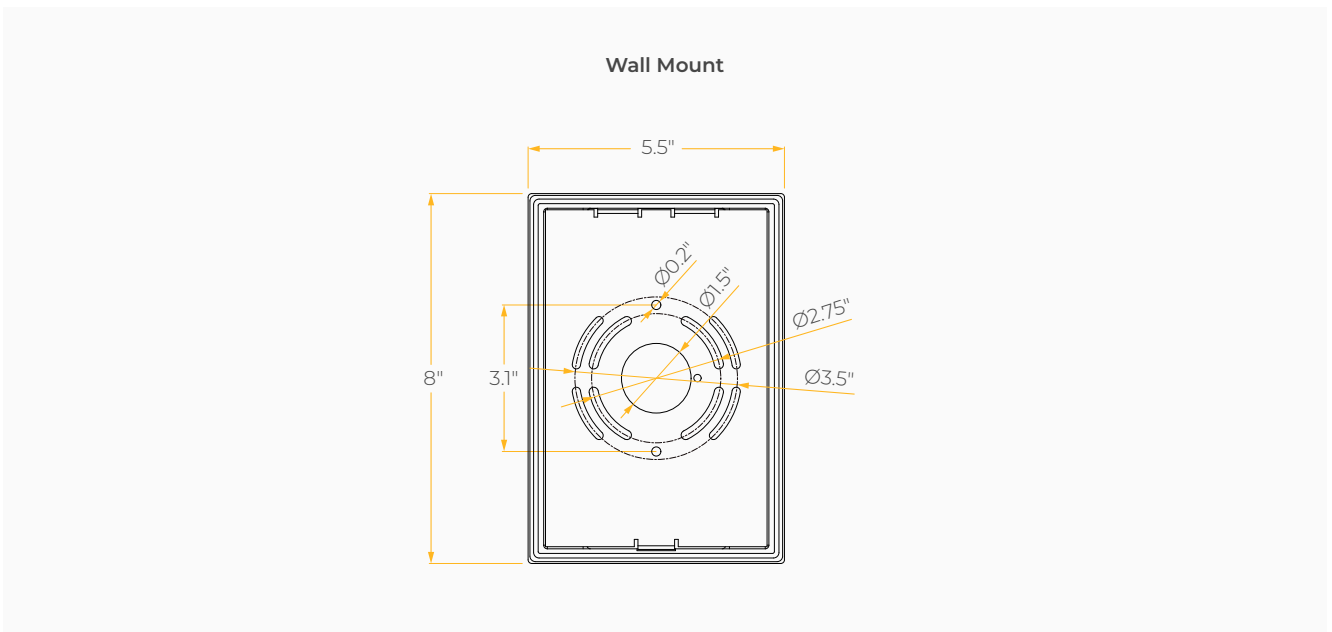
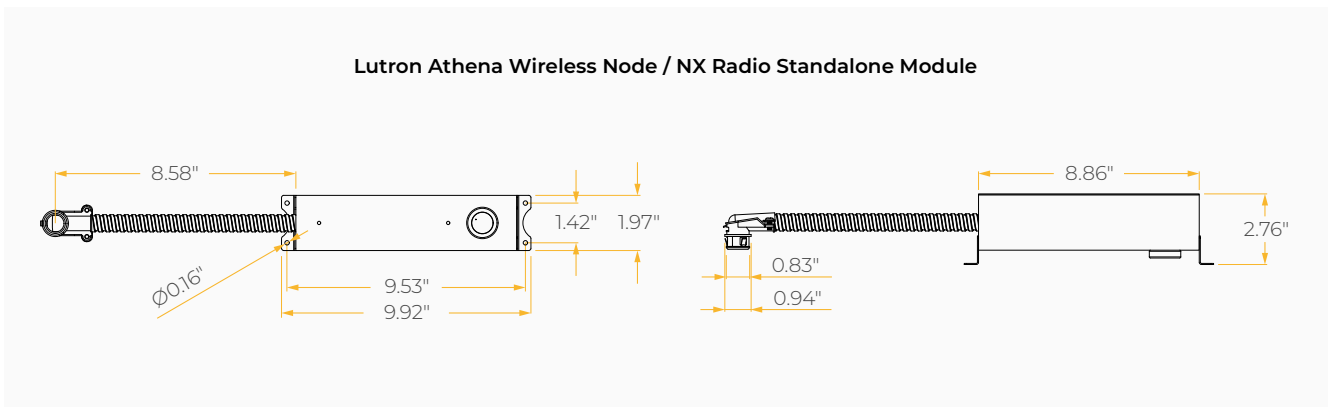
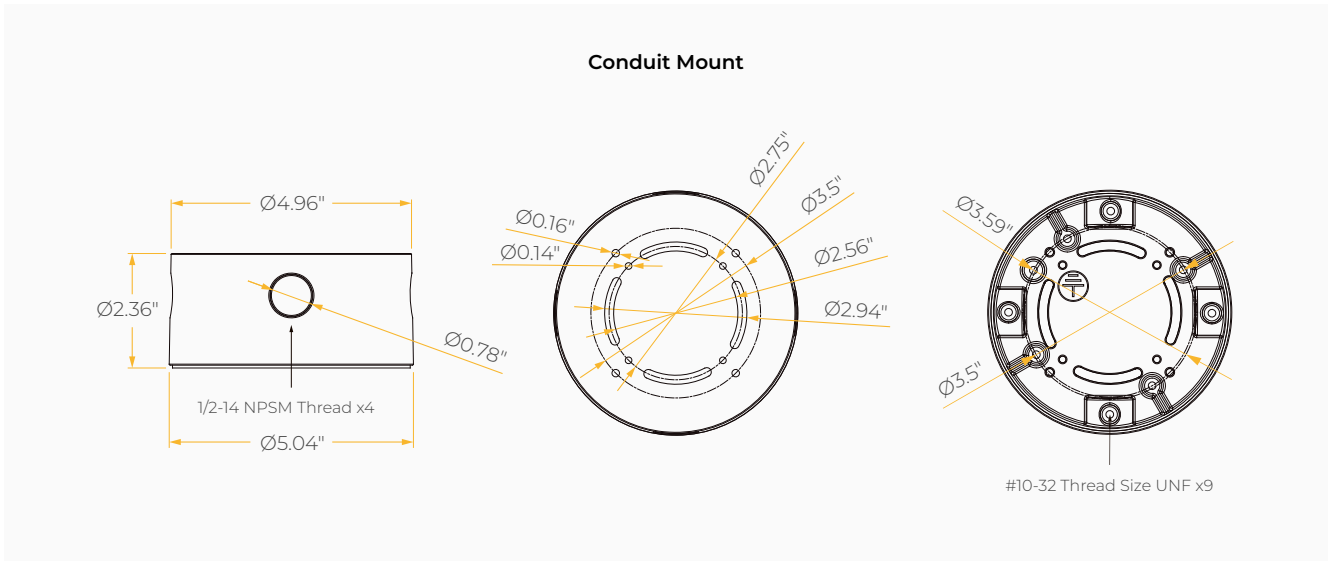
**COMPATIBLE TRC DIMMER LIST**

PART NO.					
Lutron S-603PG	Lutron DVCL-153P	Lutron DVLV-600P	Lutron TGCL-153P	Lutron S-600P	Lutron DVELV-303P
Lutron SELV-300P	Lutron TG-600P	Lutron DVLV-600P	Lutron LG-600P	Lutron CT-103P	Lutron MAELV-600
Lutron FAELV-500	Leviton IPI06-1LZ	Leviton 6631-2	Leviton VPE06	Leviton 6683-IW	Leviton 6161
Leviton 6633-P	Leviton IPE04	Cooper DLC03P	Cooper SLC03P	Cooper DAL06P	Lightolier ZP260QEW

**DIMENSIONS**

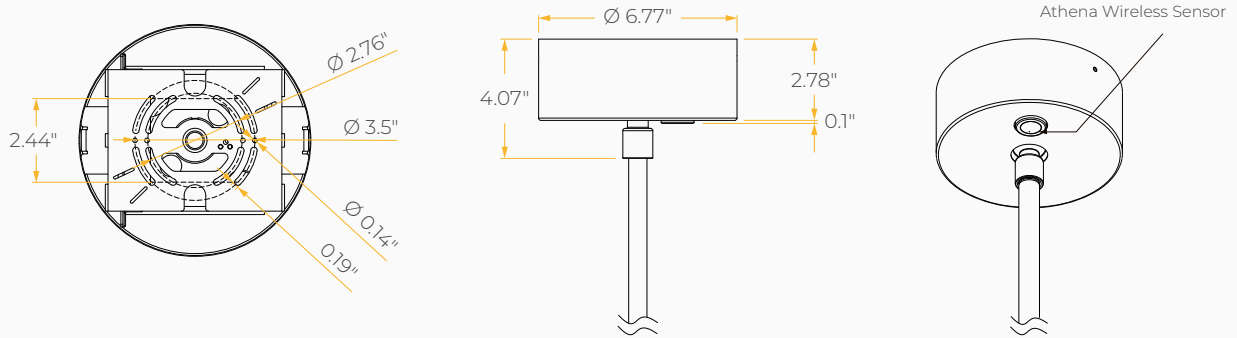


**DIMENSIONS**

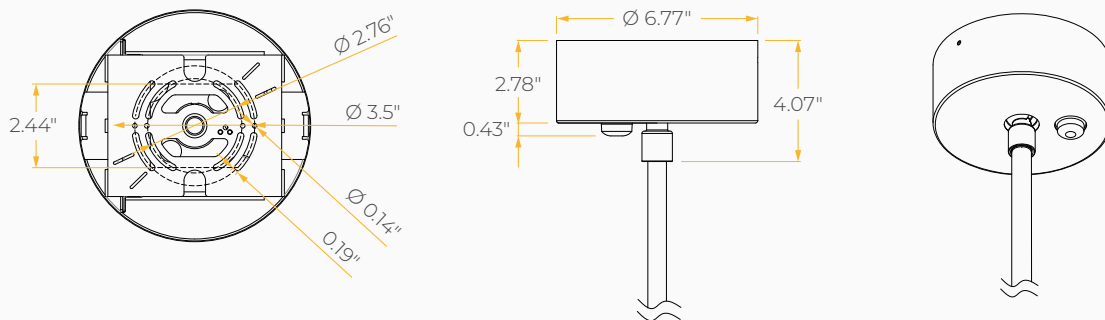


**DIMENSIONS**

Lutron Athena Wireless Node Canopy



NX Radio Node Canopy



**MOUNTING OPTIONS\***

\*Junction box not included

